

VidyoRoom™ HD-2C

Getting Started Guide



What's included

Your HD-2C codec is shipped with the following items:

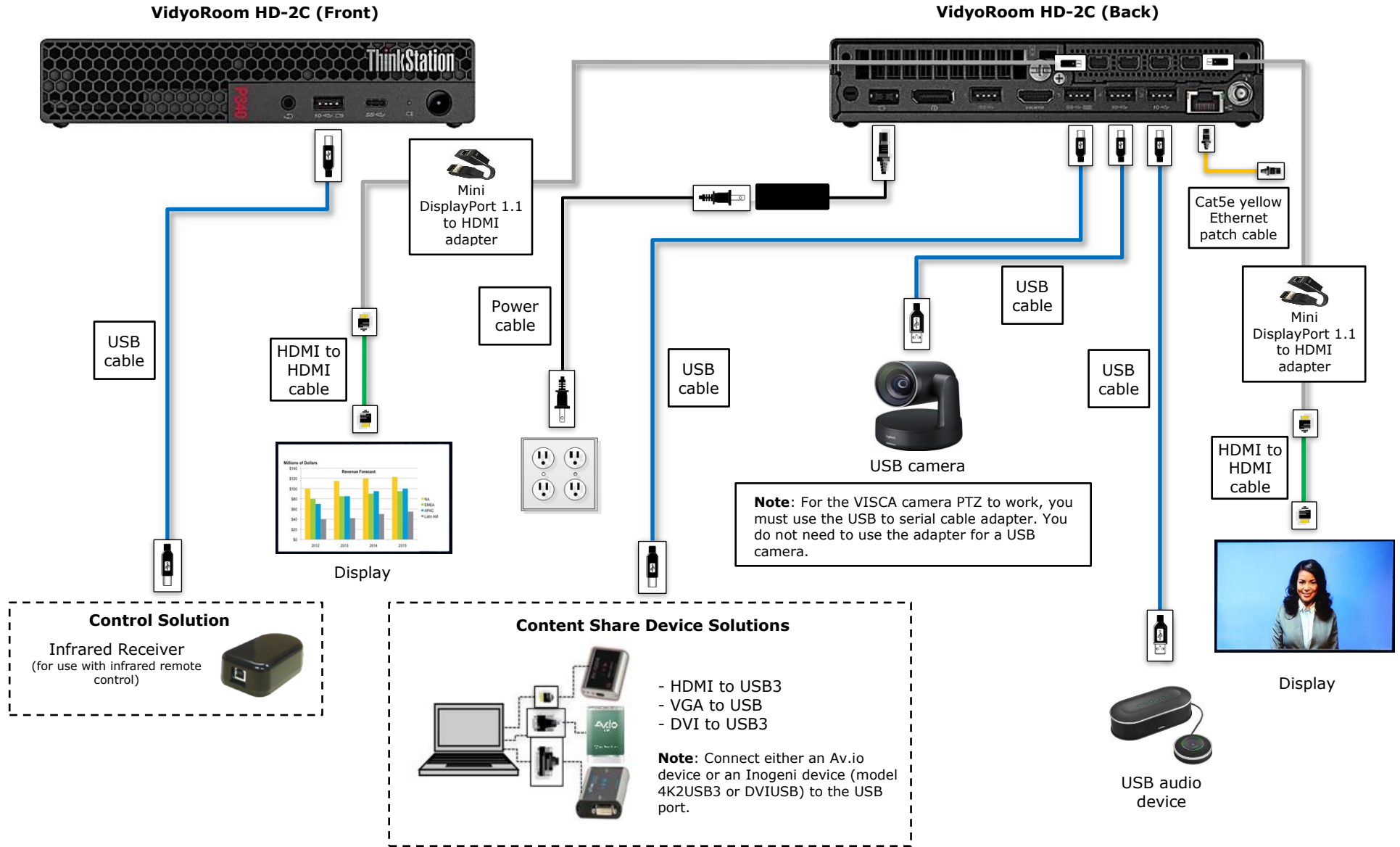
Item	Length	Quantity
Power cables for the United States, Japan, UK, and Europe	6 ft (1.828 m)	1
HDMI to HDMI cable	6 ft (1.828 m)	1
Cat5e yellow Ethernet patch cable	7 ft (2.13 m)	1
USB to serial cable adapter	1 ft (.30 m)	1
USB infrared receiver	N/A	1
Mini DisplayPort 1.1 to HDMI adapter with audio support	N/A	2
Infrared remote control with two AAA batteries	N/A	1

Refer to the diagram on the next page for a diagram about how to connect peripherals to the VidyoRoom HD-2C.

To get more information about the HD-2C, refer to the following articles on the [Vidyo Help Center](#):

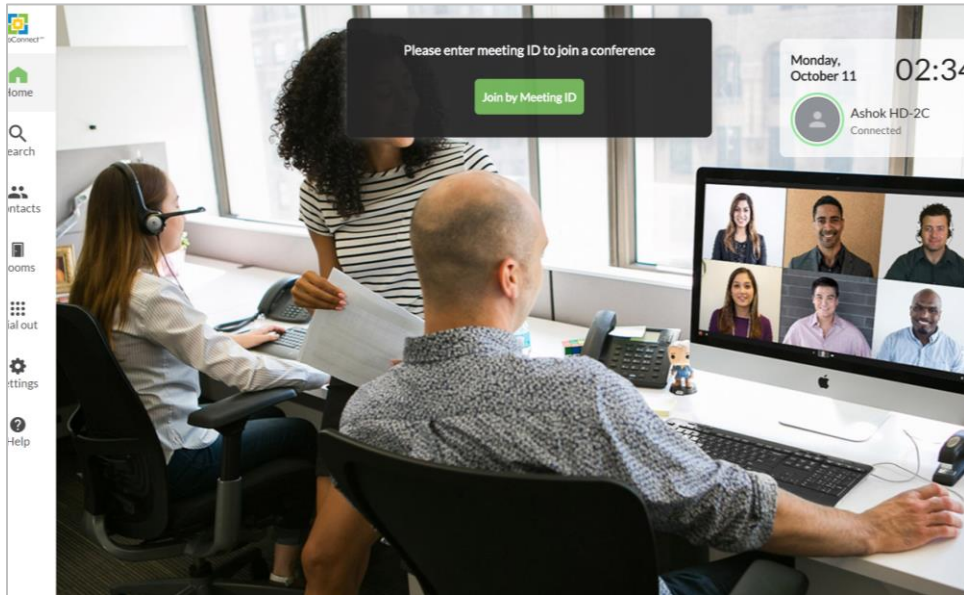
- For a list of peripherals compatible with the HD-2C and other room models, see the [Recommended and Supported Peripherals for VidyoConnect Room and VidyoRoom Systems](#) article.
- For information about how to configure your VidyoConnect Room or VidyoRoom system as an administrator, see the [VidyoConnect Room and VidyoRoom Administrator and Installation Guides](#) article.
- For details about each release, such as the new features and resolved issues, see the [VidyoConnect Room and VidyoRoom: Releases](#) article and the [VidyoConnect Room and VidyoRoom Product Bulletins](#) article.
- For a list of specifications, see the [VidyoRoom HD-3C, HD-3, HD-2C, and HD-2 Safety, Regulatory, and Environmental Specifications](#) article.

How to install your HD-2C



How to configure supported television picture settings

Depending on your television picture settings, the VidyConnect Room or VidyRoom UI may not be properly aligned. This could cause the edges of the UI to appear cut off as shown here:



If you notice this with your television, refer to this table to reconfigure your television picture settings to properly align the user interface:

LG	Samsung	Sharp	Sony	Vizio
<ol style="list-style-type: none">1. Press Menu on your TV remote.2. Select <i>Picture > Picture Options</i>.3. Select Just Scan.	<ol style="list-style-type: none">1. Press P. Size on your TV remote.2. Select Screen Fit.	<ol style="list-style-type: none">1. Press Menu on your TV remote.2. Select <i>Picture > Advanced Settings</i>.3. Turn Overscan Off.	<ol style="list-style-type: none">1. Press Wide on your TV remote.2. Select <i>Wide Mode > Full</i>.	<ol style="list-style-type: none">1. Press Display on your TV remote.2. Select Normal.

For more information, see the documentation provided with your television.