

VidyoRoom™ HD-40 with Pro Pack

Getting Started Guide



What's included

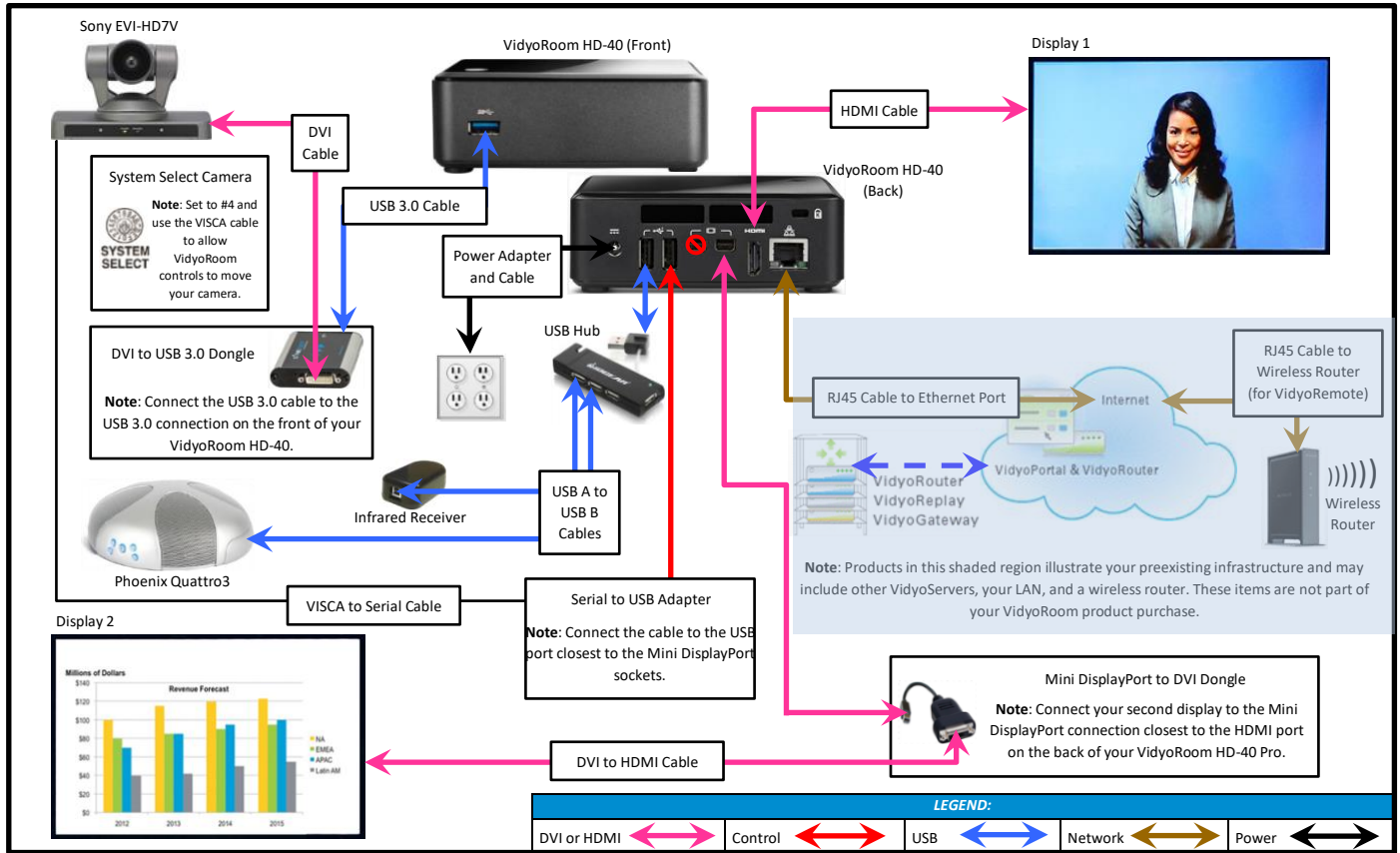
Your HD-40 shipped with the HD-40 device, a power adapter, an infrared remote control with a 6 ft (1.82 m) USB A to USB B Cable and the items listed on the following table. The Pro Pack accessory kit adds the items listed in the second column.

Note:

- The Pro Pack accessory kit is available with or without Sony EVI-HD7 and Phoenix Quattro 3.
- The installation diagram on the following page shows the Sony EVI-HD7V camera and the Phoenix Quattro3 speakerphone. To view a list of these and other peripherals available with VidyoRoom, go to <http://www.vidyo.com/support/peripherals>.

VidyoRoom HD-40	Pro Pack Accessory Kit	Sony EVI-HD7	Phoenix Quattro3
<ul style="list-style-type: none"> ■ VESA mount bracket and hardware ■ Power adapter power cables for the United States, Europe, and Ireland/United Kingdom – 6 ft (1.82 m) ■ HDMI to HDMI Cable – 6 ft (1.82 m) ■ DVI to HDMI Cable – 6 ft (1.82 m) ■ Mini DisplayPort to DVI dongle ■ External infrared receiver with USB cable – 6 ft (1.82 m) ■ Ethernet cable, Cat5E – 7 ft (2.13 m) ■ AAA batteries, 2-Pack for VidyoRoom remote control 	<ul style="list-style-type: none"> ■ VISCA to serial cable, EVI control – 6 ft (1.82 m) ■ Serial to USB adapter – 1 ft (.30 m) ■ DVI to USB 3.0 dongle – includes 3 ft (.91 m) USB 3.0 cable ■ USB hub 	<ul style="list-style-type: none"> ■ Camera ■ Power adapter and power cables for United States, Ireland and United Kingdom, and Europe – 6 ft (1.82 m) ■ DVI to DVI Cable – 15 ft (4.57 m) ■ Remote control 	<ul style="list-style-type: none"> ■ Quattro 3 unit ■ USB A to USB Mini B cable ■ Ethernet cable

Installing Your HD-40 with Pro Pack



Using the Remote Control

The VidyoRoom comes with a remote control that provides you with quick shortcuts to the most frequent VidyoRoom activities. As shown below, the functions of the buttons on the remote control vary depending on whether or not you're in a conference.

Not In Conference

CONNECT
Not applicable.

ARROWS / OK
Use the arrow keys to navigate on-screen. The option you navigate to will be highlighted in green when activated. Press OK on the remote to select the option on-screen.

VOLUME / MUTE / SELF-VIEW / ZOOM
Volume — Not applicable.
Mute — Not applicable.
Self-View — Enables you to see your own video. Pressing this button turns the feature on and off.
Zoom — Acts as a camera zoom after pressing the manage button.

ALPHANUMERIC KEYPAD
Use these keys in conjunction with the input modes on-screen to key in user names, passwords, and search terms.

CONTROL KEYPAD
Back — Takes you to the previous screen in the VidyoRoom interface.
Manage — Turns off the pre-call on-screen UI allowing camera control using the Zoom and arrow keys.
Home — Takes users to the home screen in the VidyoRoom interface.
Delete — Acts as a backspace when typing in a form field.
Settings — Brings up the Settings screen.
Toggle — Not applicable.
A — Swaps your displays.
B — Not applicable.
C — Turns Caps Lock on and off.
D — Not applicable.

In Conference

DISCONNECT
Ends the meeting.

ARROWS / OK
Left/Right — Pans the camera (if supported by the camera).
Up/Down — Tilts the camera (if supported by the camera).

VOLUME / MUTE / SELFVIEW / ZOOM
Volume — Adjusts the sound level.
Mute — Mutes your microphone or recording source.
Self-View — Enables you to see your own video. Pressing this button turns the feature on and off.
Zoom — Zooms your camera in/out (if supported by the camera).

ALPHANUMERIC KEYPAD
1-9 — Not applicable.
0 — Not applicable.

CONTROL KEYPAD
Manage — Brings up the in-call on-screen UI.
Home — Not applicable.
Privacy — Toggles Privacy mode, so that no one in the conference can see your video.
Share — Not applicable.
Toggle — Cycles through shared sources, including none.
A — Swaps displays when using dual screens.
B — Enables DTMF dialing.
C — Turns Caps Lock on and off.
D — Depending on your display size, toggles remote participant layout from Stretch to Letterbox.

Using the Lucky Clover Remote Control Keypad

The Lucky Clover remote control keypad is an alphanumeric character input method for your VidyoRoom remote control. Enabled by default, the feature can be disabled, if desired.


To disable the Lucky Clover remote control keypad:

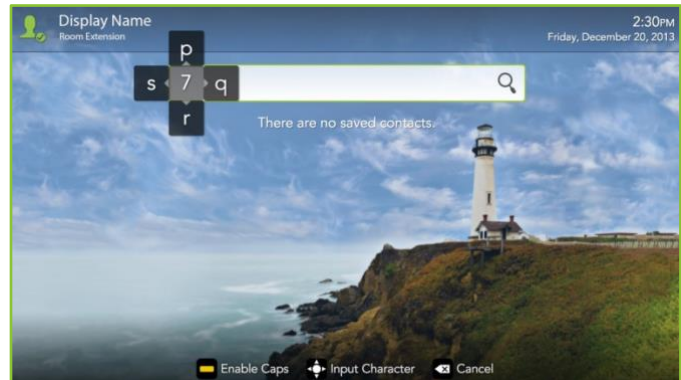
1. Press the **Settings** button on the remote control.
The Settings screen appears with the Account tab selected by default.
2. Use the arrow buttons to navigate to the **Advanced** tab.
3. Press the down arrow key to the Lucky Clover Keypad field, then the right arrow key to turn it **OFF**.

To use the Lucky Clover remote control keypad:

1. When in applicable text fields, press any button on the alphanumeric keypad.
The corresponding number is shown in the text field.
Alphanumeric options for the selected number are presented in a surrounding, clockwise clover format starting from the top.
2. Use the arrow keys to select the options presented from top, right, bottom, or left (where applicable).

Note: Characters are automatically selected when either an arrow key is pressed; an alphanumeric character is pressed again, or

 is pressed.



Tip: When available, remote control hints appear on the lower part of the screen.

Configuring the Account and Network Settings

To configure the VidyoPortal™ account settings:

1. When the VidyoRoom powers up, press the **Settings** button on the remote control.

The Account screen displays the default IP address of your VidyoPortal as well as the default user name and password that came with your VidyoRoom. You must change these as described here.



2. Navigate to the **Username** text box and use the Lucky Clover Keypad to enter the name of the VidyoPortal.
3. Navigate to the **Password** text box and use the Lucky Clover Keypad to enter the password for the VidyoPortal.
4. Navigate to the **VidyoPortal** text box and use the Lucky Clover Keypad to enter the IP address or URL of the VidyoPortal. (You don't have to enter "<http://>".)

5. Navigate to the **Save** button and press **OK** to save your settings.

To configure the network settings:

1. Use the arrow buttons to navigate to the **Network** tab and press **OK**. The Network screen appears:



Your VidyoRoom is set to **Use DHCP** by default. This enables it to automatically obtain its IP address.

2. If you want to change your VidyoRoom network settings, press the down arrow key to the DHCP field, then the right arrow key to turn DHCP **OFF**.
3. Navigate to each text box, enter the appropriate network setting.
4. Navigate to the **Save** button and press **OK** to save your settings.

For complete information about how to configure your settings and use the VidyoRoom, refer to the *VidyoRoom Administrator and User Guide*.

For more information about VidyoRoom, refer to the following:

- To obtain user documentation and access other helpful resources, register at selfservice.vidyo.com/register.
- To view a list of the various peripherals available with VidyoRoom, go to <http://www.vidyo.com/support/peripherals>.